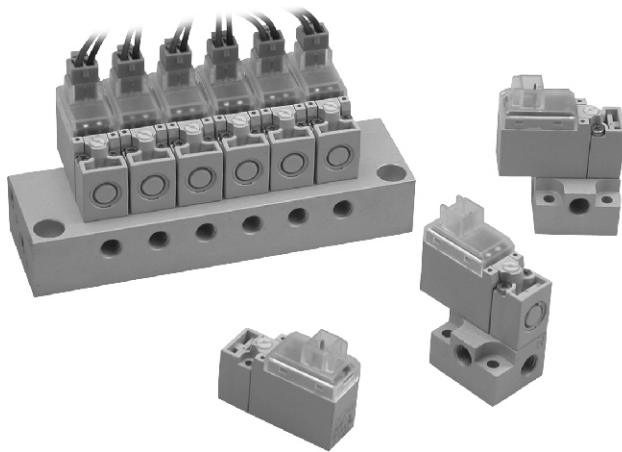


MVDY-100 series

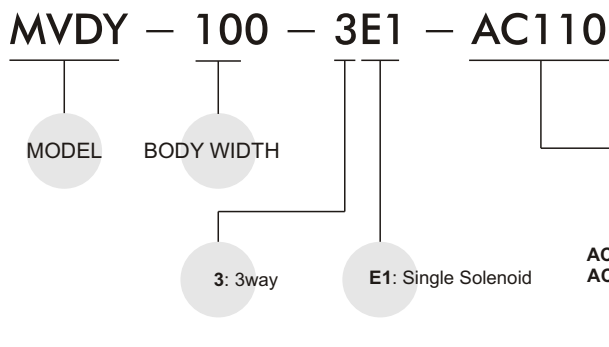
SOLENOID VALVE (direct operated type)



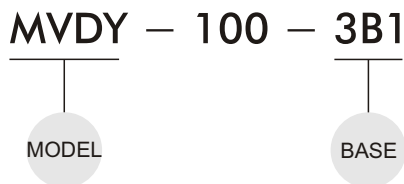
Specification:

Model	MVDY-100-3E1
No. of port	3
No. of position	2
Medium	Air
Operating pressure range	0~7 kgf/cm ²
Effective orifice mm ² (Cv)	0.28 (0.016)
Response time	4 ms
Ambient temperature	+5~+50°C
Voltage	AC110V,AC220V(50/60)Hz,DC6/12/24V
Power consumption	AC=1.6 / 2.5VA,DC=1.2 W (LED indicator)
Available voltage range	±10%
Insulation class	F class
Weight	12 g

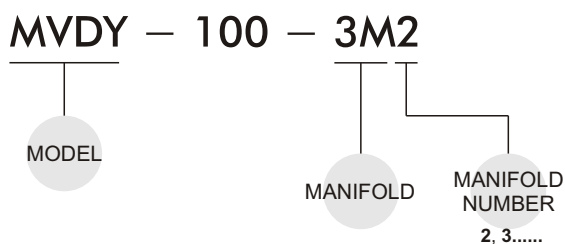
Order example of valve:



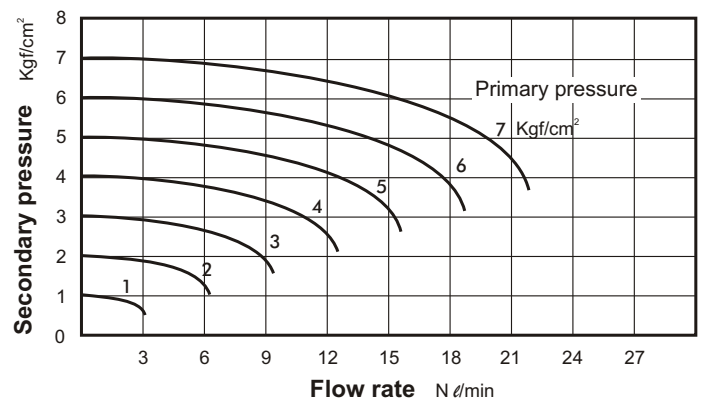
Order example of base:



Order example of manifold:



Flow features:



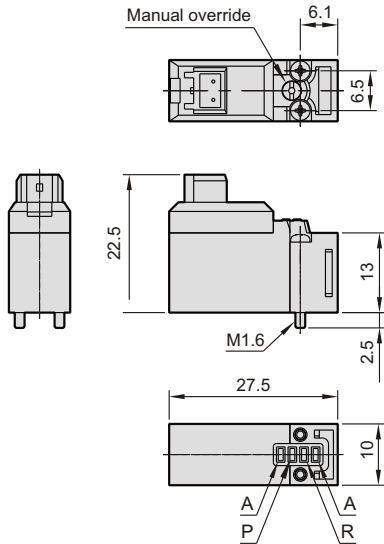
MVDY-100

SOLENOID VALVE (direct operated type)



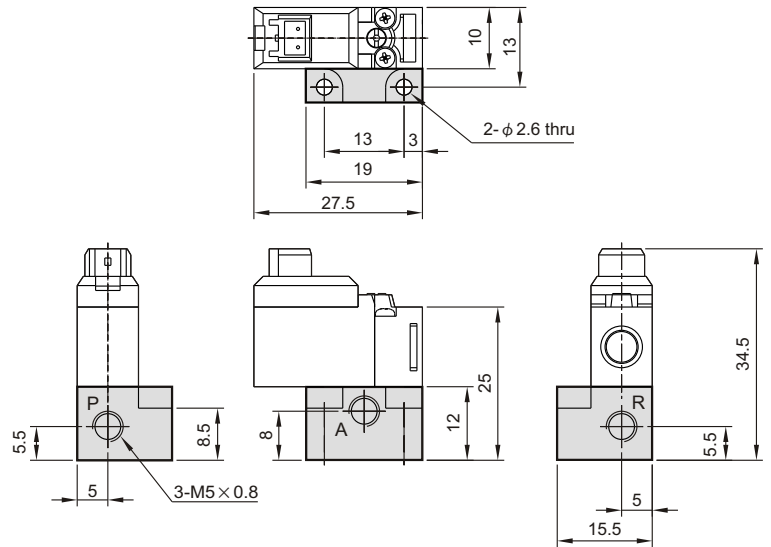
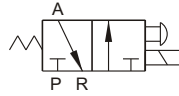
Dimensions:

MVDY-100-3E1



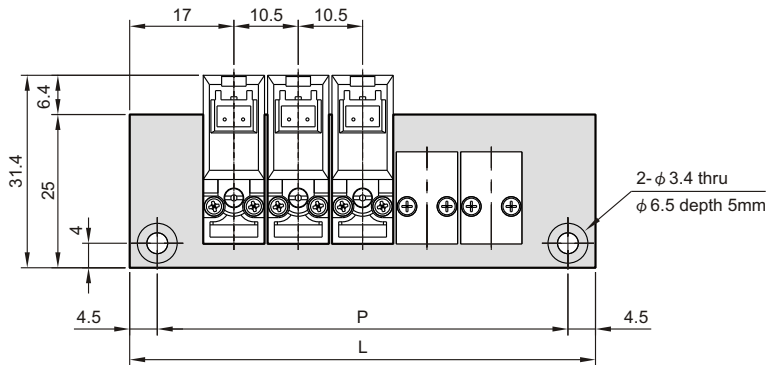
Base dimensions:

MVDY-100-3B1



Manifold of solenoid valve:

MVDY-100-3M*



No. of stations (N)	P	L
2	35.5	44.5
3	46	55
4	56.5	65.5
5	67	76
6	77.5	86.5
7	88	97
8	98.5	107.5
9	109	118
10	119.5	128.5

